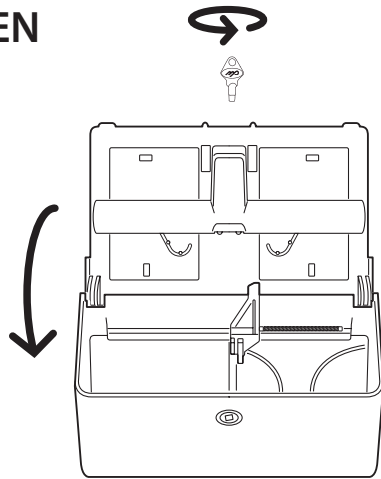
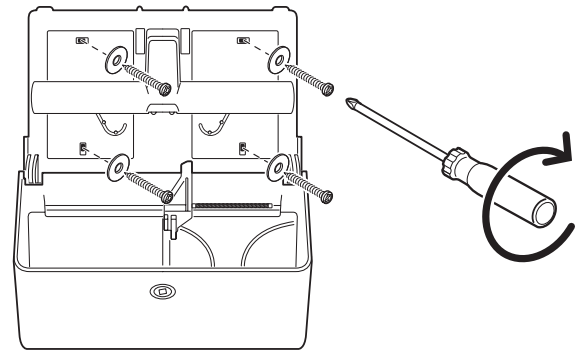


ISTRUCTIONS

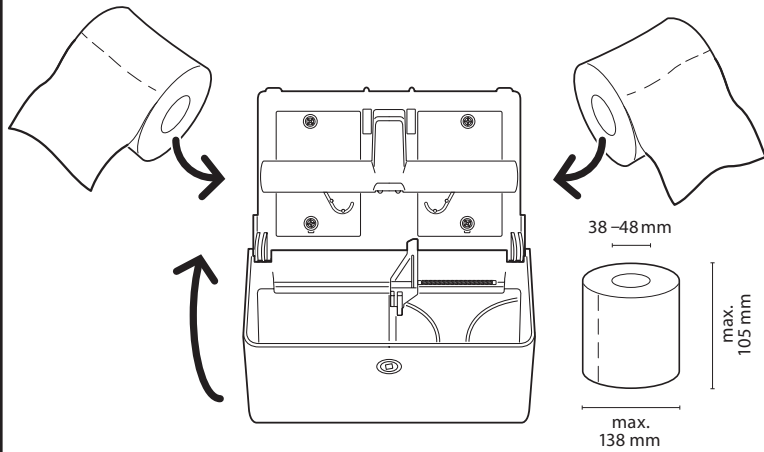
(1) OPEN



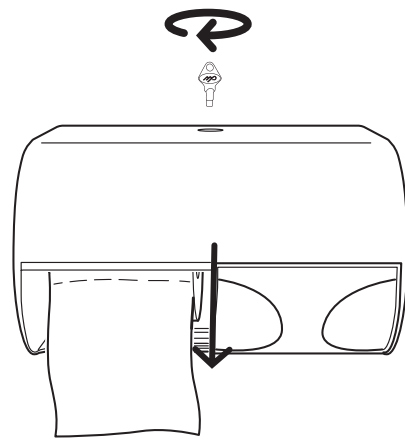
(2) FIX



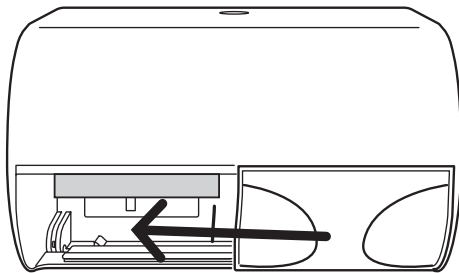
(3) INSERT ROLLS



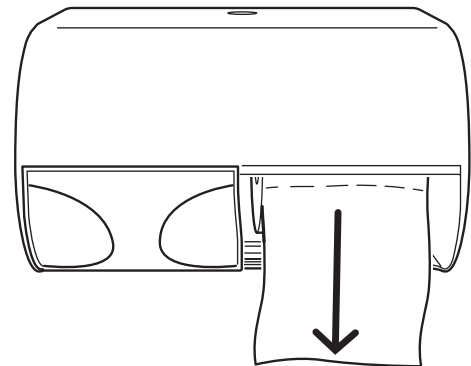
(4) CLOSE AND USE FIRST ROLL



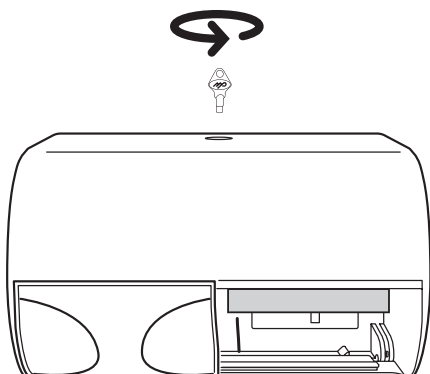
(5) SHIFT THE WINDOW WHEN THE FIRST ROLL IS FINISHED



(6) USE SECOND ROLL



(7) OPEN THE DISPENSER WHEN THE SECOND ROLL IS FINISHED



(8) WINDOW SHIFT AUTOMATICALLY

