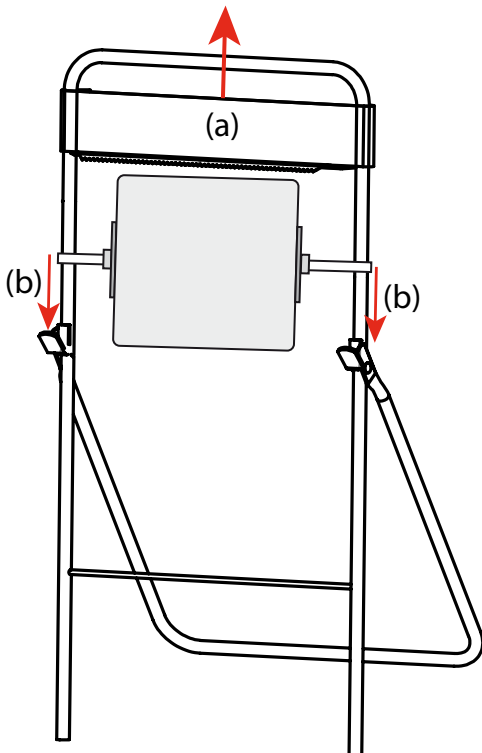
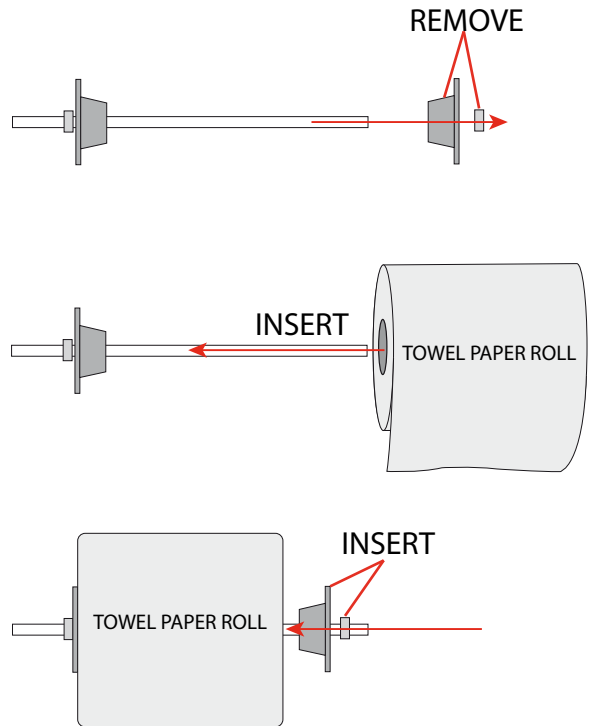
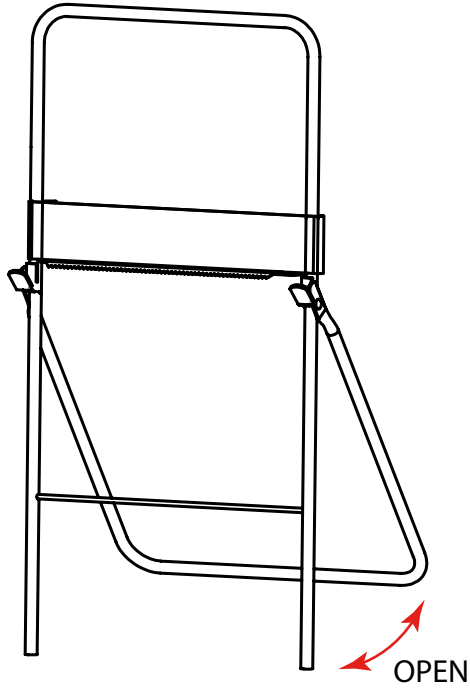
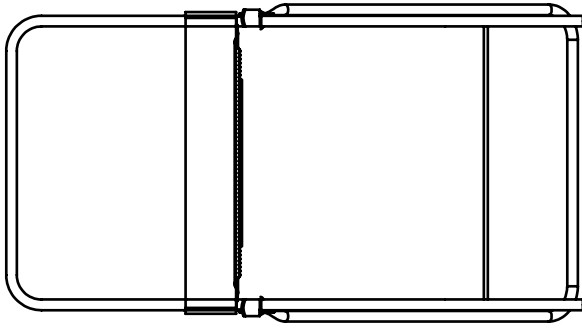
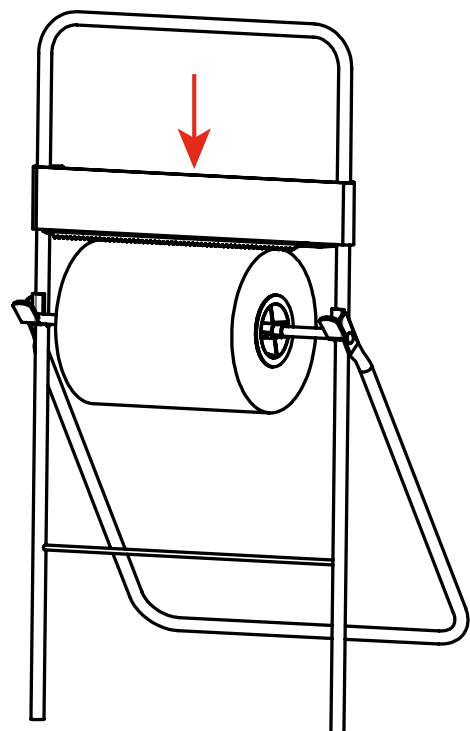


INSTRUCTIONS

BOX CONTENTS



REMOVE THE PLATE WITH HACKSAW (a).
PLACE THE ROLL HOLDER ON THE SUPPORT (b)



INSERT THE PLATE WITH HACKSAW